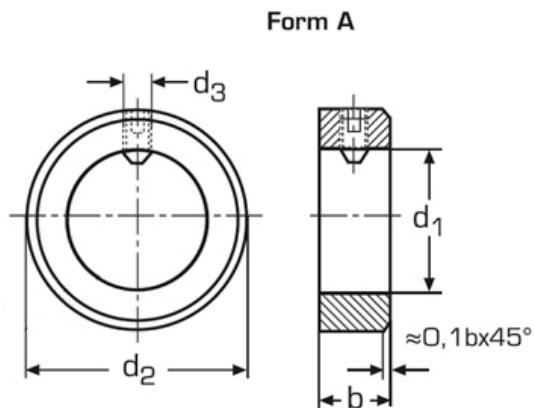


Stelling Form A



d1	b	d2	d3
A 4	5	8	M 2,5
A 5	6	10	M 3
A 6	8	12	M 4
A 8	8	16	M 4
A 10	10	20	M 5
A 12	12	22	M 6
A 14	12	25	M 6
A 15	12	25	M 6
A 16	12	28	M 6
A 18	14	32	M 6
A 20	14	32	M 6
A 22	14	36	M 6
A 24	16	40	M 6
A 25	16	40	M 8
A 28	16	45	M 8
A 30	16	45	M 8
A 32	16	50	M 8
A 35	16	56	M 8
A 40	18	63	M 10
A 45	18	70	M 10
A 50	18	80	M 10
A 60	20	90	M 10
A 70	20	100	M 10
A 80	22	110	M 12